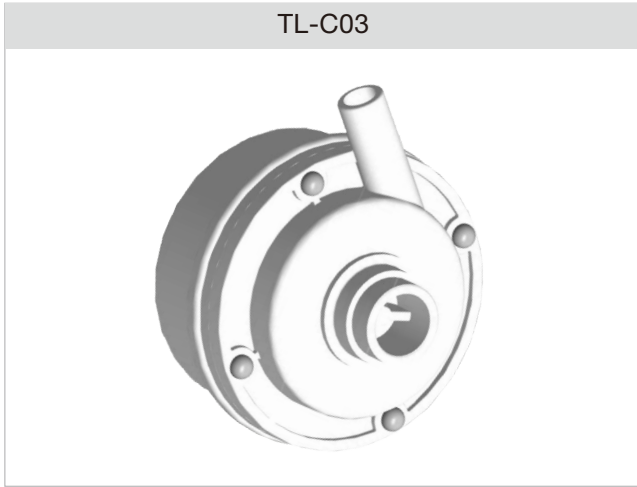


TL-C03 Micro BLDC Pump



Typical Applications

- Water Cooling / Heating Mattress
- Computer CPU Cooling Circulation
- Home Circulating System
- Liquid Transfer
- General Purpose Pumping

Features

- Unique design, 25dB (A), ultra-low noise
- Resistant to 100°C high temperature, no leakage
- Small size, space-saving, light-weight
- Low-power consumption, energy-saving and environmental protection
- Hot water circulation, constant temperature heating, work continuously

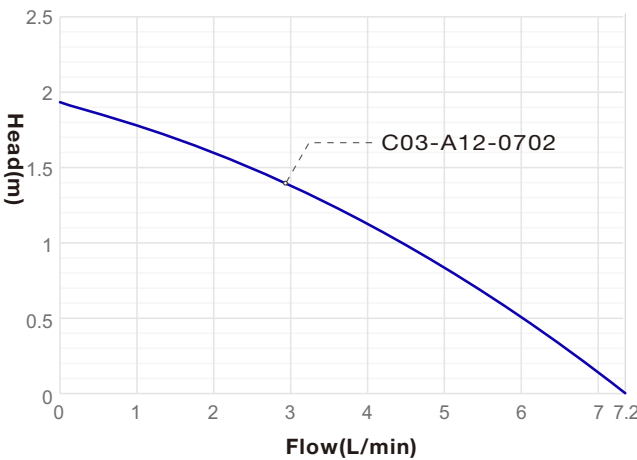
Specification

Model	Product Code	Rated Voltage (VDC)	Max Water Flow (L/min)	Max Lift (M)	Current (A)	Power (W)
TL-C03	TL-C03-A12-0702	12	7.2	1.9	0.38	4.6

Customization: 1. /PWM or /5V speed control 2. FG (RPM) signal wire

- The data in the table is the measured performance when pure water is delivered at normal temperature.
- The maximum flow rate is the flow rate when water head is 0 meter, and the highest lift is the lift when water flow is 0 L/min.
- Noise ≤ 25dB(A)
- Working mode: Continuous
- IP level: IP66
- Coil Insulation class: Class F
- Ambient temperature: -40°C ~ 40°C
- Liquid temperature: -40°C ~ 80°C
- Do Not Run Pumps Dry.
- Pumps must be in a continuous flooded suction environment.

Curve



Dimension (mm)

