

TL-C01

Micro DC Brushless Pump



TL-C01-C		TL-C01-E		TL-C01-F
Selectable Pump A	Selectable Pump B	Selectable Pump D	Selectable Pump TC	Selectable Bracket-X2

Note: Optional pump head based on MOQ requirement

Typical Applications

- Water Heater Recirculating System
- Electric Instant Water Heater
- “Zero cold water” water heater
- Cooling Circulation System, Chiller
- Heating System, Gas Boiler
- Carbonated Beverage Machine
- Boosting Applications
- Medical Equipment
- General Purpose Pumping

Features

- Large flow rate, high pressure
- No Leakage, more reliable
- 20,000 hours long working life
- 40dB(A), super quiet
- Intelligent control

Specification

Model	Product Code	Rated Voltage (VDC)	Max Water Flow (L/min)	Max Water Head (M)	Rated Current (A)	Rated Power (W)
TL-C01-C	TL-C01-C12-2008	12	20	8	3.2	38.4
	TL-C01-C24-2411	24	24	11	2	48
	TL-C01-C24-2818	24	28	18	2.3	55
TL-C01-E	TL-C01-E12-2008	12	20	8	3.2	38.4
	TL-C01-E24-2411	24	24	11	2.15	48
	TL-C01-E24-2818	24	28	18	2.3	55
TL-C01-F	TL-C01-F24-1112	24	11	12	1.11	26.6

Customization: 1. /PWM or /5V speed control 2. /FG (RPM) signal wire 3. /S Submersible, liquid ≤50°C

- The data in the table is the measured performance when pure water is delivered at normal temperature.
- The maximum flow rate is the flow rate when water head is 0 meter, and the highest lift is the lift when water flow is 0 L/min.
- Noise ≤40dB(A)
- Working mode: Continuous operation under 75°C liquid temperature, 100°C intermittent operation
- IP level: IP68 (2818 IP level: Ip67)
- Coil Insulation class: Class F
- Ambient temperature: -40°C ~ 40°C
- Liquid temperature: -40 °C ~ 75°C (2818 liquid temperature: -40°C ~ 60°C)
- Do Not Run Pumps Dry.
- Pumps must be in a continuous flooded suction environment.

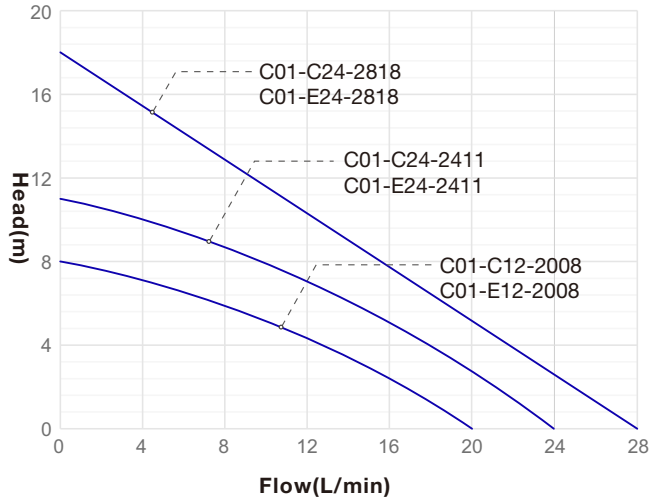
TL-C01

Micro DC Brushless Pump

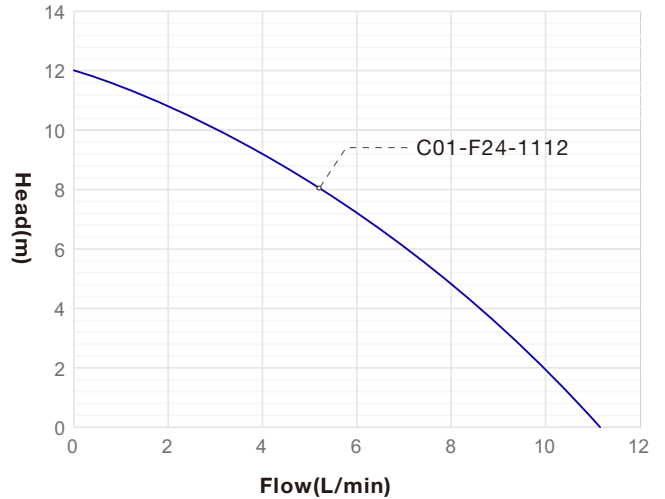


Curve

TL-C01-C / TL-C01-E

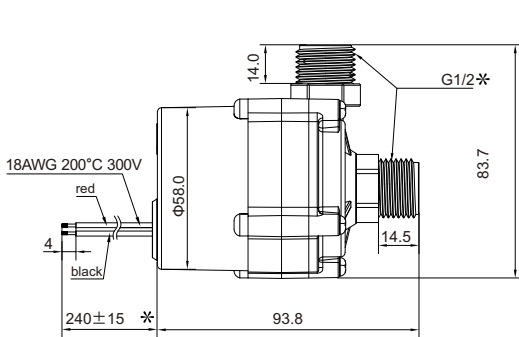


TL-C01-F

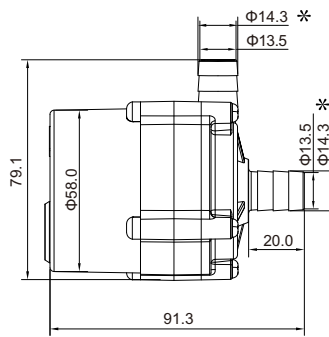


Dimension (mm)

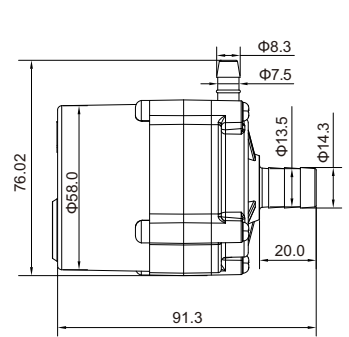
Note: pump A / B / D / E / F / TC lead wire pls refer to C type pump



Standard Version Pump C



Standard Version Pump E



Standard Version Pump F

Selectable Pump A	Selectable Pump B	Selectable Pump D	Selectable Pump TC	Selectable Bracket-X2
<p>Dimensions: Φ19.6*, Φ18.0*, 88.3, Φ58.0, 89.3, 18.0, Φ18.0*, Φ19.6*.</p>	<p>Dimensions: Φ11.5*, Φ10.5*, 78.1, Φ58.0, 89.3, 18.0, Φ19.5*, Φ21.0*.</p>	<p>Dimensions: Φ20.5, 110.0, Φ58.0, 19.5, 91.5, 12.5, Φ20.5, G1/2外螺线*.</p>	<p>Dimensions: Φ15.5*, 32.0, Φ15.7*, 93.8, Φ58.0, 103.3.</p>	<p>Dimensions: 73.0, 15.0, 12.0, 17.2, Φ89.5, Φ93.5, Φ58.5*±0.1*, 2-Φ13.0, 2-Φ7.8, Φ10.1.</p>

